



GR36N Receptor with 3660L/R Walls

Model GR36N Receptor

Length: 37 1/4" (946mm)

Width: 37 1/4" (946mm)

Height: 21 3/8" (541mm)

Model GR36N Receptor with 3660L/R Walls

Length: 37 1/4" (946mm)

Width: 37 1/4" (946mm)

Height: 79 3/16" (2011mm)

Receptor Shipping Weight: 44lbs. (20Kg)

Walls (Combined) Shipping Weight: 57lbs. (26Kg)

Materials: Gelcoat finish reinforced with fibreglass.

The most popular neo-angle receptor featuring a 21" knee wall, allows Hytec to build in strength and durability while offering ease of cleaning. When combined with the System Connects 3660 left & right walls, a complete and attractive shower unit is created.

Standard Features:

- ° Easy to clean high gloss surface
- ° Chip and mar resistant
- ° Moulded-in floor pattern

Colours:

- ° Standard: White, Almond (Bone) or Biscuit.
- ° Optional: Kohler Colours

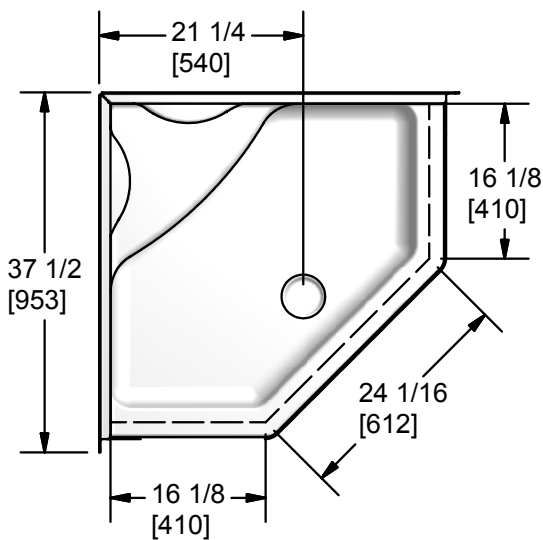
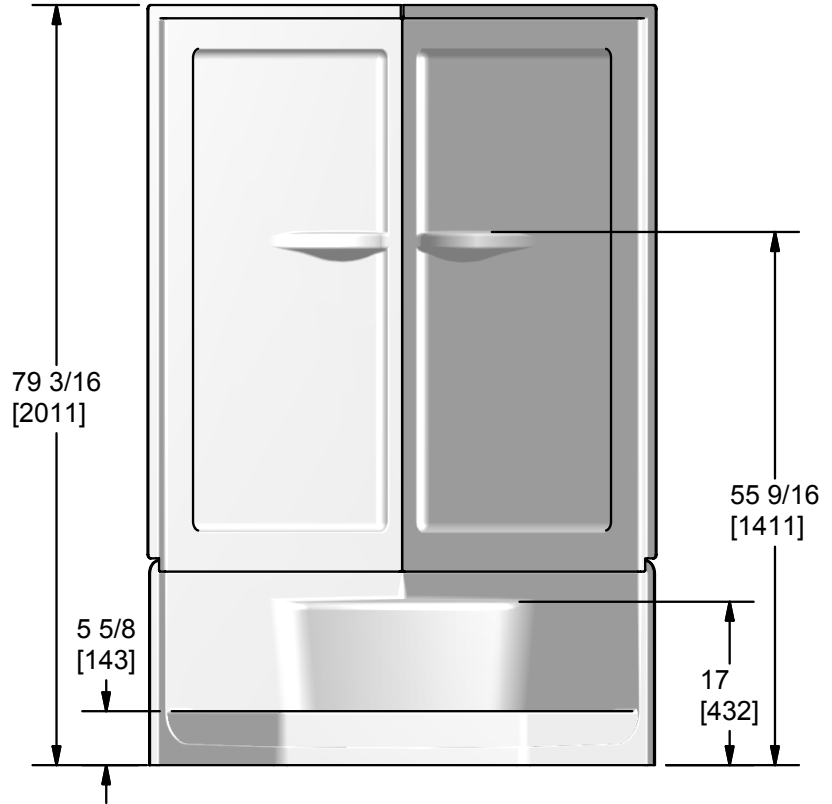
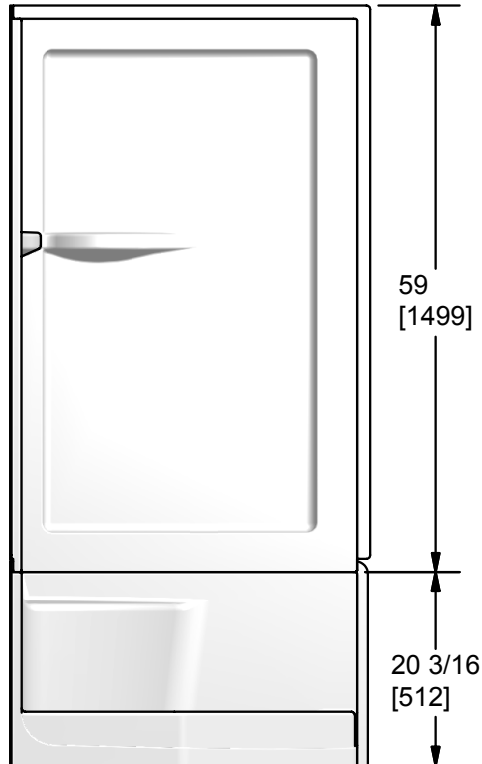
All products manufactured by Hytec are covered by a comprehensive five-year limited warranty from the date of sale to the original owner. See the Hytec Bathing Fixtures List Price Book for further details.

Hytec Plumbing Products

(Division of Kohler Canada Co.)

4150 Spallumcheen Dr, Armstrong BC V0E 1B6

Ph. (800) 871-8311 (250) 546-3196 Fax (250) 546-3170



Measurement tolerances $\pm 1/4"$ (6.3mm)

All Hytec products are Canadian Standards Association certified.

For installation procedures, please refer to instructions included with each unit.

This sheet approximately describes products and equipment manufactured or supplied by Hytec Plumbing Products. Because of ongoing efforts to improve both design and quality, products and equipment actually furnished may differ without prior notice.

Hytec Plumbing Products

(Division of Kohler Canada Co.)

4150 Spallumcheen Dr, Armstrong BC V0E 1B6

Ph. (800) 871-8311 (250) 546-3196 Fax (250) 546-3170

